

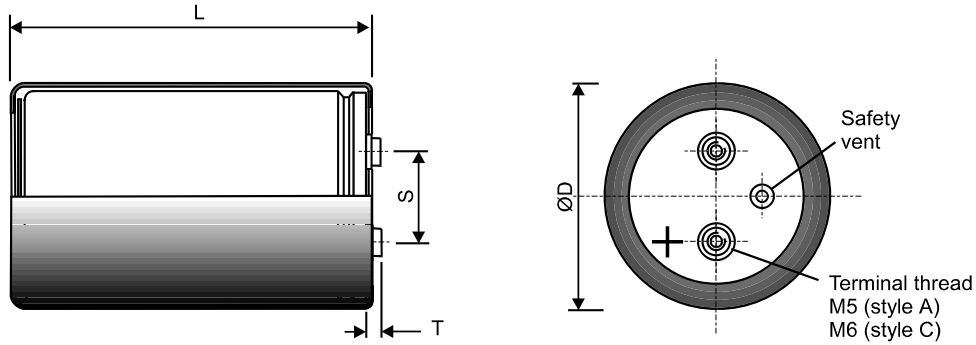
# BHC RIFA

## Capacitor Specification

Part Number: ALS30A472NJ400N

Customer:

Life Expectancy: 20000 Hours at 85 deg C



Diameter (mm)	77	±1
Length (mm)	115	±2
Terminals	M5 UTE	
Other Dimensions	S=31.7±0.5 T=5.0±0.8	
Capacitance:	4700	µF
Lower Cap Tolerance:	-20	%
Upper Cap Tolerance:	+20	%
Working Voltage:	400	V DC
Surge Voltage:	450	V DC
ESR:	38	mΩ max @ 100Hz, 20°C
Impedance:	26	mΩ max @ 10kHz, 20°C
DC Leakage:	6	MA max @ test volts
Test Voltage:	400	V DC
Rated Ripple Current:	14.91	A rms @ 100Hz and 85°C
Temperature Range:	-40°C to +85°C	

Approved \_\_\_\_\_

Date \_\_\_\_\_

Form: FM003.DES Iss: 2 Date: 01.07.05